



www.cfconn.com

# Spring-Loaded Connectors

1.27mm pitch housing

Single row strips

### -Materials:

.Insulator: Black plastics (265°C) UL94 V-0

.Plunger: Brass Au over Ni

.Barrel: Brass Au over Ni

.Spring: SUS surface treatment

### -Mechanical:

.Spring force: 50g+/-20g at 0.7mm working stroke

.Full stroke: 0.80mm

.Life test: 100,000 cycles

### -Electrical:

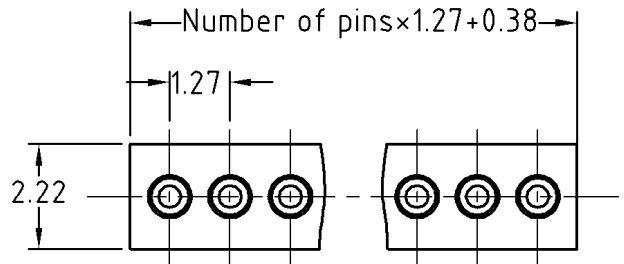
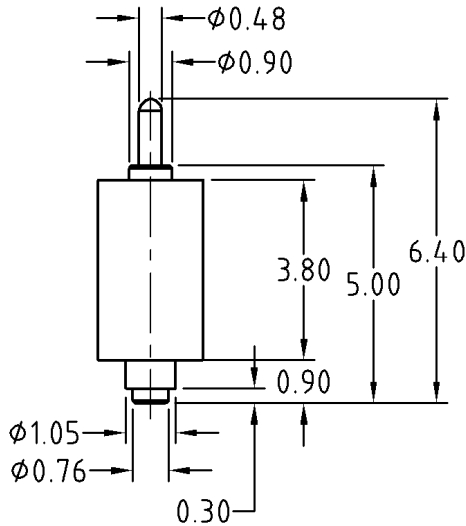
.Rated current & voltage: DC12V; 1A Max.

.Contact resistance: 50 milliohm Max.

G-Barrel	G-Plunger
1-0.125um	1-0.125um
2-0.25um	2-0.25um
3-0.375um	3-0.375um
4-0.5um	4-0.5um
5-0.75um	5-0.75um
...	...

NN-Pins
02~30

## Single row series → BP118 **GG**- **NN** 127 T0A





www.cfconn.com

# Spring-Loaded Connectors

1.27mm pitch housing

Double row strips

### -Materials:

.Insulator: Black plastics (265°C) UL94 V-0

.Plunger: Brass Au over Ni

.Barrel: Brass Au over Ni

.Spring: SUS surface treatment

### -Mechanical:

.Spring force: 50g+/-20g at 0.7mm working stroke

.Full stroke: 0.80mm

.Life test: 100,000 cycles

### -Electrical:

.Rated current & voltage: DC12V; 1A Max.

.Contact resistance: 50 milliohm Max.

G-Barrel	G-Plunger
1-0.125um	1-0.125um
2-0.25um	2-0.25um
3-0.375um	3-0.375um
4-0.5um	4-0.5um
5-0.75um	5-0.75um
...	...

NN-Pins
02~24

## Double row series → BP118 **GG**- **NN** 127 R0A

